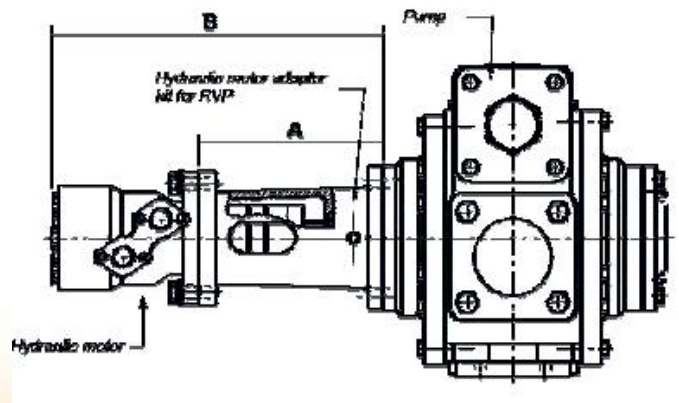


(RVP20, RVP25, RVP30),

RVP.



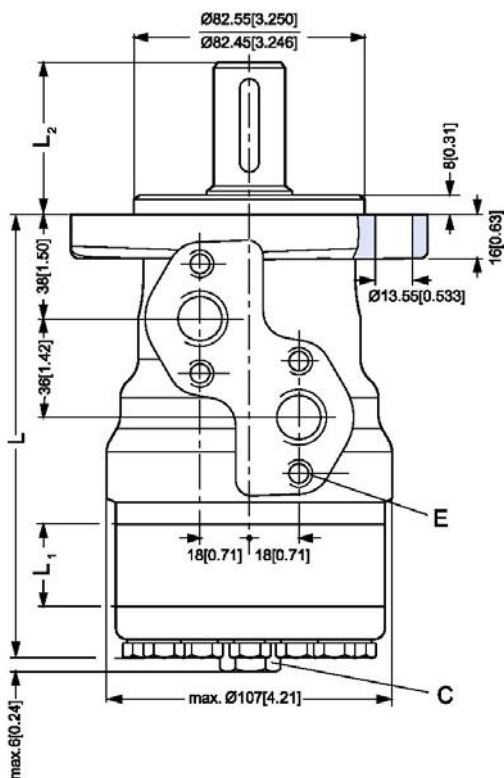

			A	B
<b>RVP 20</b>	OMR50	(inch)	164.00 (6.46)	300.00 (11.81)
<b>RVP 25</b>	OMR50	(inch)	164.00 (6.46)	300.00 (11.81)
<b>RVP 30</b>	OMR80	(inch)	178.00 (7.01)	319.00 (12.56)



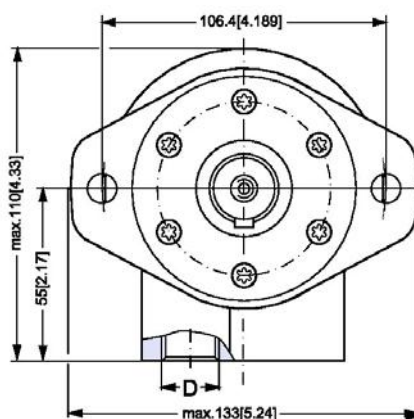
		OMR50	OMR80
		RVP20, RVP25	RVP30
(inch)		51.6 (3.16)	80.3 (4.91)
( / )		775	750
	(1)	970	940
Max Nm (lbf-in)		100 (890)	195 (1730)
		130 (1150)	220 (1960)
	(2)	170 (1510)	270 (2390)
Max (HP)		7.0 (9.4)	12.5 (16.8)
		8.5 (11.4)	15.0 (20.1)
		140 (2030)	175 (2540)
Bar (PSI)		175 (2540)	200 (2900)
		225 (3260)	225 (3260)
		40 (10.6)	60 (15.9)
/ (GPM)		50 (13.2)	75 (19.8)

(1)  
(2)

10%  
1%



	Max L (in)	L <sub>1</sub> (in)	L <sub>2</sub> (in)
OMR50	136.5 (5.37)	9.0 (0.35)	55.3 (2.18)
OMR80	141.5 (5.57)	14.0 (0.55)	55.3 (2.18)



C	G1/4"; 12 (0.47 in)
D	G1/4"; 15 (0.59 in)
E	M8; 13 (0.51 in) (4 .)

S.A.M.P.I. S.p.A. Via A. Vespucci, 1  
55011 Altopascio (Lucca) – Italy  
Tel.: +39 0583 24751 Fax: +39 0583 264748  
www.sampi.it

« »  
9, 25  
Tel.: +7 499 394 6660  
[www.muftapro.ru](http://www.muftapro.ru) / [www.muftapro.com](http://www.muftapro.com)